

ACURA SPA SYSTEMS, INC.

MINITROL™ SERIES-210

MODEL: HL50SP2B1

240V 50A. Service 60 Hz

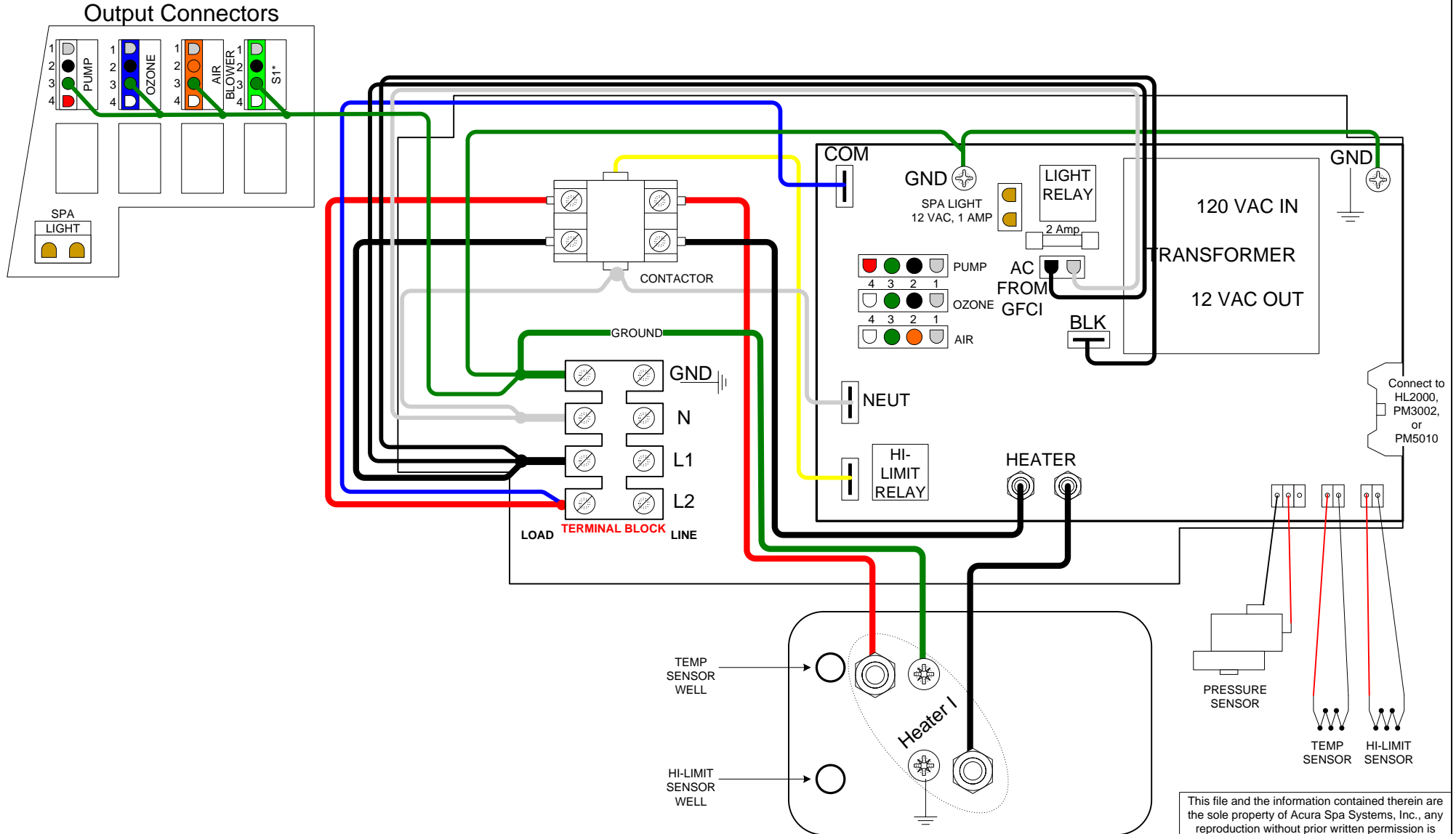
REVISION: 26/08/10 \* Optional Items

**WARNING: MUST BE WIRED  
PER NATIONAL ELECTRIC  
CODE AND ALL LOCAL  
CODES AND REGULATIONS.**

NOTE: To supply 120V to the heater, move RED wire on load side of **Terminal Block** from RED (L2) to WHITE (N).

NOTE: To supply 120V to the pump, move BLUE wire on load side of **Terminal Block** from RED (L2) to WHITE (N).

**WARNING: CONNECT ONLY TO A G.F.C.I. PROTECTED CIRCUIT.**



This file and the information contained therein are the sole property of Acura Spa Systems, Inc., any reproduction without prior written permission is strictly forbidden.